



TECHNICAL DATA

SK-700 AND SK-710 AIR-SYSTEM SOCKETS

The EIMAC SK-700 and SK-710 Air-System Sockets are designed to socket the EIMAC 8167/4CX300A or 8561/4CX300Y. Connections are made to each of the tube electrodes except the anode. An integral screen-grid by-pass capacitor is built into the socket.

SK-700

The cathode contacts are insulated from ground.

SK-710

All six of the cathode contacts are connected directly to the metal body.

HEATER CONNECTIONS

In both socket types, one heater contact is connected directly to the metal body.

SCREEN-GRID BY-PASS CAPACITOR

The capacitor is built into the socket and provides a low-impedance path to ground for screen-grid rf currents. It is tested at 1000 volts dc and rated at 400 volts dc. Capacitance is 1100 picofarads $\pm 20\%$.

MATERIALS AND FINISHES

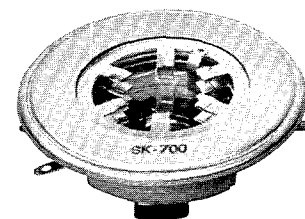
The metal shell, or body, of the socket is made of silver-plated brass. The non-ferrous alloy contacts are heat treated after forming and then silver-plated. Three silver-plated brass toe clamps are supplied for mounting purposes.

The socket insulating material is chemically inert, non-flammable, and will not absorb water or water vapor. It is not affected by strong or weak acids or alkalis. It will not react to normal solvents except in the case of halogenated compounds, which will induce minor dimensional changes. Its physical characteristics are stable over a temperature range of -150°C to $+275^{\circ}\text{C}$ and it is resistant to embrittlement and thermal shock.

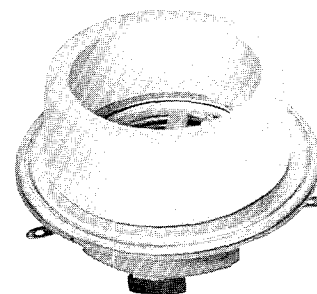
A silvered-mica dielectric is used in the screen-grid by-pass capacitor.

AIR CHIMNEY

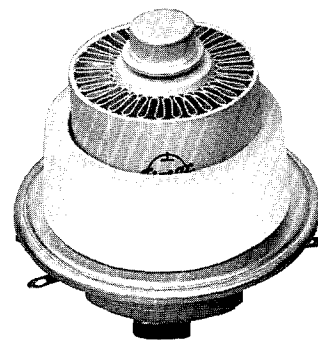
The SK-606 is intended to be used with the tube mounted vertically with the anode up. If horizontal mounting or vertical mounting with the anode down is required, means should be provided to retain the chimney. The air chimney is made of high-temperature ceramic and serves to direct the flow of air emerging from the socket into the anode cooling fins. It is recommended that the SK-606 chimney, or its equivalent, be used with each SK-700 or SK-710 socket.



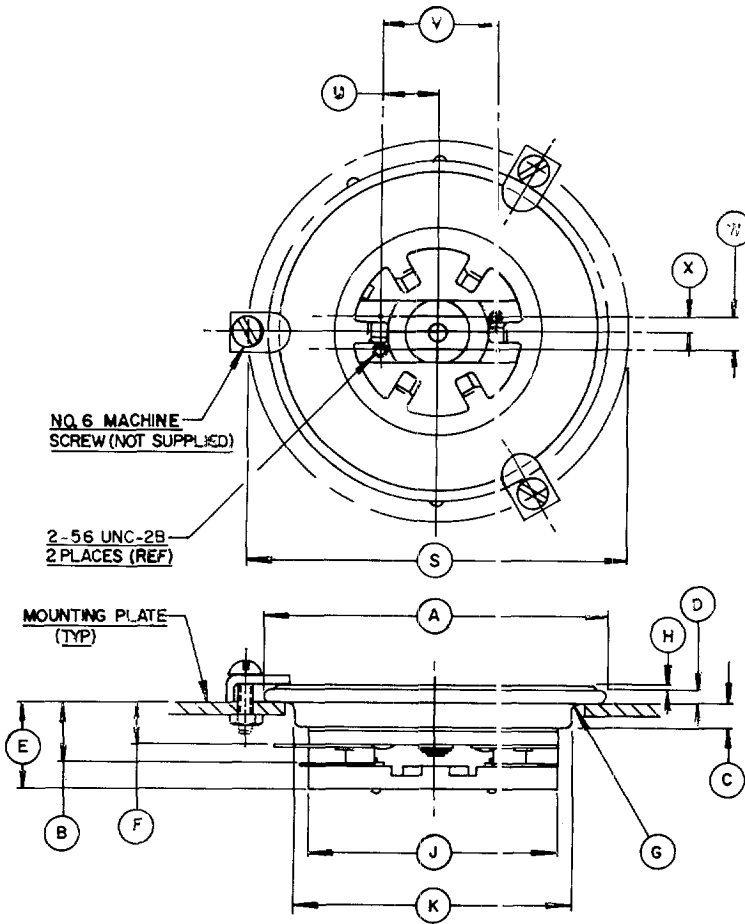
SK-700



SK-700 WITH SK-606



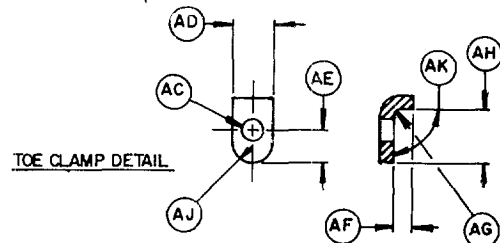
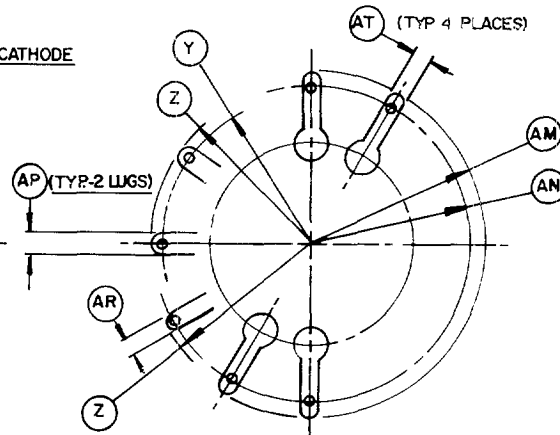
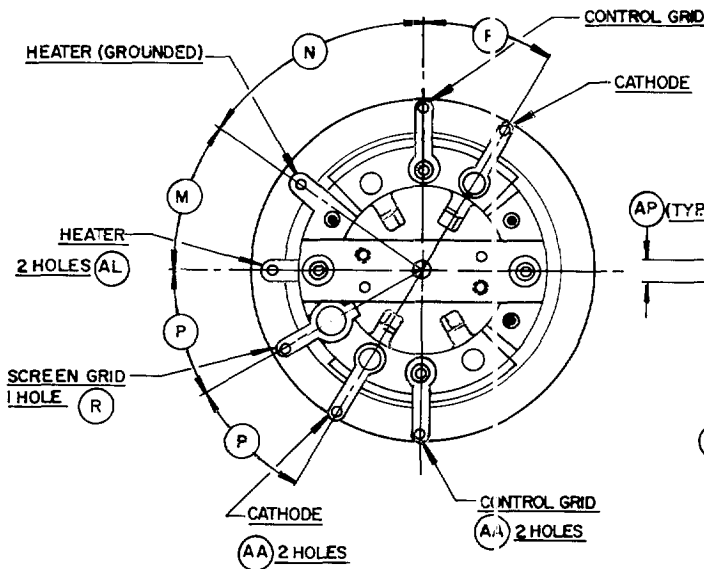
SOCKET, TUBE, AND CHIMNEY

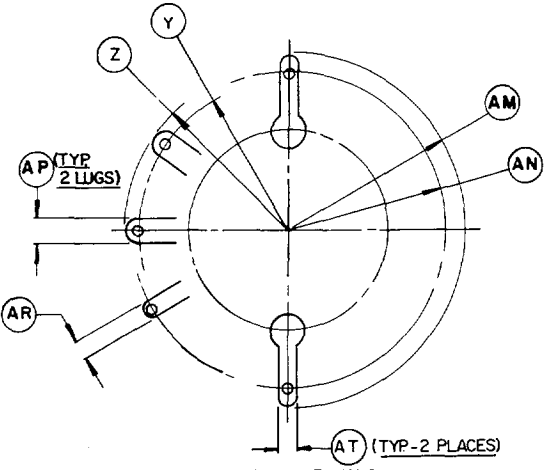
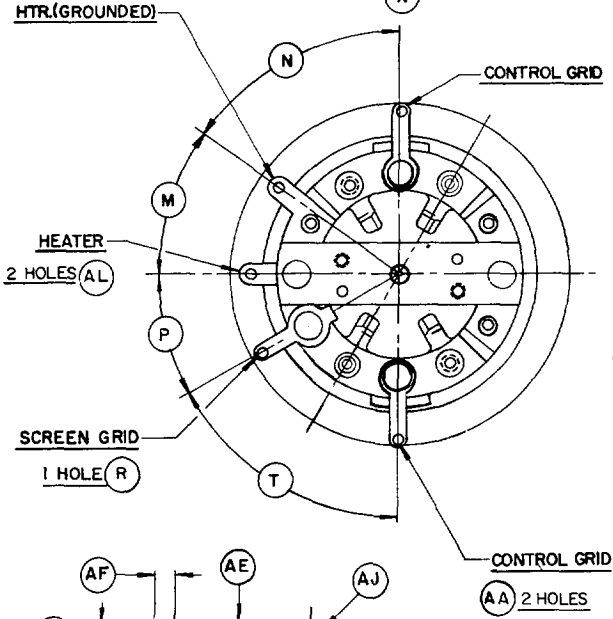
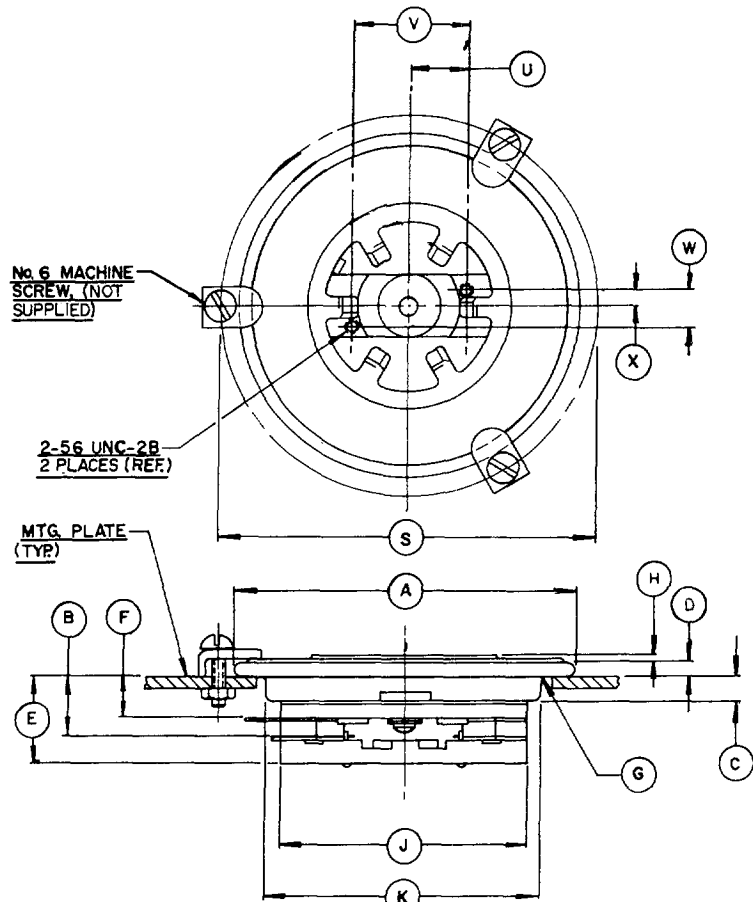


DIM	INCHES			MILLIMETERS		
	MIN.	MAX.	REF.	MIN.	MAX.	REF.
A	2.688	2.750		68.27	69.85	
B	.453	.493		11.51	12.52	
C	.175	.207		4.44	5.26	
D	.107	.147		2.71	3.73	
E	.650	.690		16.51	17.53	
F	.312	.352		7.92	8.94	
G			.031R			.079R
H	.014	.046		0.35	1.17	
J			2 Dia.			50.4D
K	2.184	2.210		55.47	56.13	
M			35°			35°
N			55°			55°
P			30°			30°
R			.062D			1.57D
S			3.000			76.20
U	.437	.469		11.10	11.91	
V	.890	.922		22.60	23.42	
W	.234	.266		5.94	6.76	
X	.109	.141		2.77	3.58	
Y			1.203R			30.55R
Z			1.313R			33.55R
AA	.080	.085		2.03	2.16	
AC	.142	.146		3.61	3.71	
AD	.292	.332		7.42	8.43	
AE	.292	.332		7.42	8.43	
AF	.105	.145		2.67	3.68	
AG			.062R			1.57R
AH	.417	.457		10.59	11.61	
AJ	.125R	.187R		3.17R	4.75R	
AK	80°	100°		80°	100°	
AL			.062D			1.57D
AM			1.437R			36.50R
AN			1.281R			32.54R
AP			.187			4.75
AR			.125			3.17
AT	.109	.140		2.77	3.55	

NOTES

1. REF DIMS. ARE FOR INFO. ONLY AND ARE NOT REQD. FOR INSP. PURPOSES.
2. TOLERANCES ARE NOT CUMULATIVE.
3. CAPACITANCE -1100 MMFD ± 20%, VOLTAGE -1000 VDC, TEST-400 WVDC



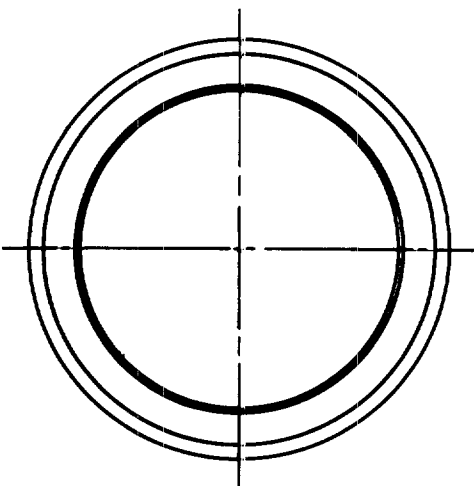


DIM	INCHES			MILLIMETERS		
	MIN.	MAX.	REF.	MIN.	MAX.	REF.
	A	2.688	2.750		68.27	69.85
B	.453	.493		11.51	12.52	
C	.175	.207		4.44	5.26	
D	.107	.147		2.71	3.73	
E	.650	.690		16.51	17.53	
F	.312	.352		7.92	8.94	
G			.031R			.079R
H	.014	.046		0.35	1.17	
J			2 Dia.			50.4D
K	2.184	2.204		55.47	55.98	
M			35°			35°
N			55°			55°
P			30°			30°
R			.062D			1.57D
S			3 Dia.			76.20D
T			60°			60°
U	.437	.469		11.10	11.91	
V	.890	.922		22.61	23.42	
W	.234	.266		5.94	6.76	
X	.109	.141		2.77	3.58	
Y			1.203R			30.55R
Z			1.312R			33.55R
AA	.080	.085		2.03	2.16	
AC	.142	.146		3.61	3.71	
AD	.292	.332		7.42	8.43	
AE	.292	.332		7.42	8.43	
AF	.105	.145		2.67	3.68	
AG			.062R			1.57R
AH	.417	.457		10.59	11.61	
AJ	.125R	.187R		3.17R	4.75R	
AK	80°	100°		80°	100°	
AL			.062D			1.57D
AM			1.437R			36.50R
AN			1.281R			32.54R
AP			.187			4.75
AR			.125			3.17
AT	.109	.140		2.77	3.55	

- NOTES:
- REF DIMS. ARE FOR INFO. ONLY AND ARE NOT REQD. FOR INSP. PURPOSES.
 - TOLERANCES ARE NOT CUMULATIVE.
 - CAPACITANCE, 1100 MMFD ±25%, VOLTAGE 1000 VDC TEST, 400 WVDC

TOE CLAMP DETAIL

Eimat
 SK-606
 MADE IN U.S.A.



DIMENSIONS IN INCHES

DIMENSIONAL DATA			
DIM.	MIN.	MAX.	REF.
A	1.635	1.700	
B	1.781	1.881	
C	.812	.875	
D	.156	.218	

